

Maximum Cutting Precision in Minimum Space

SECTOR 1254



PRODUCTIVITY AND PRECISION





The perfection of wood and plastic processing is our passion

Our engineers are among the best in the world. Their visionary thinking and exceptional skills guarantee that our machines offer the highest level of performance and are the most flexible and safest in the world today. Customers appreciate our ability to develop and produce excellent, high-quality products quickly and at competitive prices. Integrative, networked solutions are crucial for machining wood and panels worldwide.

That is why HOLZ-HER offers a range of products that are fully compatible with one another and always develops a complete product series, from an entry-level machine right up through all performance ranges to the comprehensive top model. All service activities and product training courses are planned in parallel with new products. This ensures that, in addition to being offered a new machine, customers can also take advantage of a complete range of services, which offer them practical solutions and greater customer benefit.

Absolute precision in production guarantees perfect results for customers.



What you can expect from us

- We want to understand our customers and partners as well as we possibly can and we want to optimize and increase their success by providing them with innovative products and services.
- Close contact with our dealers as well as with end customers, cabinet makers, interior architects and industrial workshops is one of HOLZ-HER's particular strengths.
- HOLZ-HER places a great deal of value on providing above-average performance in all areas, looking ahead to the future, achieving continuity and consistency in development and design and perfecting production, as well as providing in-depth sales and service advice.
- The ability to recognize and anticipate trends is a key skill for strong companies like HOLZ-HER. This requires the qualifications of each and every employee to be kept up to date. For this reason, HOLZ-HER places a great deal of emphasis on professional training for young employees. A choice selection of advanced occupational courses and personal training keep the learning process going.



The WEINIG Group: machines and systems for solid wood and panel processing

Innovative state-of-the-art technology, comprehensive services and system solutions through to turnkey production lines: the WEINIG Group is your partner for profitable processing of solid wood and panels. WEINIG quality and profitability give small businesses and industrial operations a decisive edge in the global competition.



SECTOR 1254 – we have been working hard to save you work

The SECTOR 1254 vertical panel saw from HOLZ-HER combines proven technology from over 50 years of experience with a basic, solid design offering you a unique cost/benefit ratio. The SECTOR 1254 is available in different versions with cutting lengths from 3300 up to 5300 mm and cutting height of 1900 or 2200 mm.

- Completely welded frame with extremely high rigidity.
- Precision cutting quality – finished cuts ready for immediate edgebanding.
- Powerful 4 kW sawing motor.
- Space-saving division with support surface of only 5 m².
- Easy and ergonomic operation for the in-and-out movement of the sawing unit.



Illustrations may include optional features.

■ Longitudinal stop

Manual (Fig. 1) or digital (optional/ Fig. 2) dimension display for setting length of vertical cut.

- With extended stop plate a standard feature for narrow parts.
- Setting desired dimensions is easy and precise.
- Can easily be folded away when not required.

■ Optimized central workpiece support

The central workpiece support can quickly be folded out and placed at the optimal level for ergonomic machining (Fig. 3).

■ Support grid

With optional narrow part fence to prevent workpieces from tipping away between the fences over the central workpiece support (Fig. 4).

■ Control panel

Functional control panel at eye height guarantees simple operation.

Digital version

- Digital dimension display for horizontal cutting. (optional)
- Precise dimensional adjustment even for top-most horizontal cuts (Fig. 5).

■ SuperCut

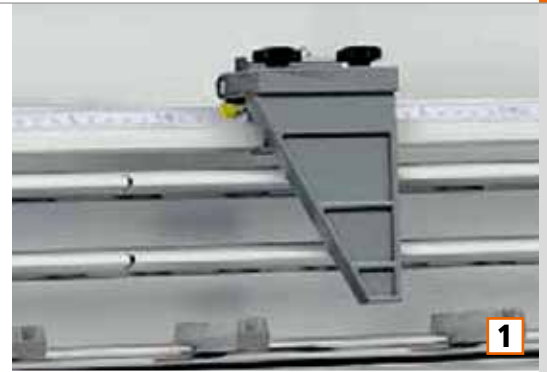
The patented SuperCut prescoring system ensures with its proven SuperCut scoring blades tear-free cut quality (optional) (Fig. 6).


■ Strip stop

For repetitive horizontal cutting dimensions. It is only necessary to set the desired dimension plus saw blade width once. All other cuts are made with the same repetition accuracy. (optional)

■ TRK evacuation

Health and safety require workplaces to fulfill the highest requirements. Air pollution is an important factor. This is why the SECTOR 1254 can be equipped with an optional, highly effective evacuation system (mandatory in all CE countries).





➤ This is what your
remnants management
could look like in future! <

Cut optimization – step-by-step instructions for effective panel cutting

With the professional OptiBase V-Cut cutting optimization feature from HOLZ-HER you always get the best optimization results for perfect material utilization. Clearly arranged user surface and 10" touch screen for simple, quick operation and management of orders, material and parts lists. The label printer for HOLZ-HER machines included in the package ensures clear identification of all parts.

W4.0 digital
INSIDE

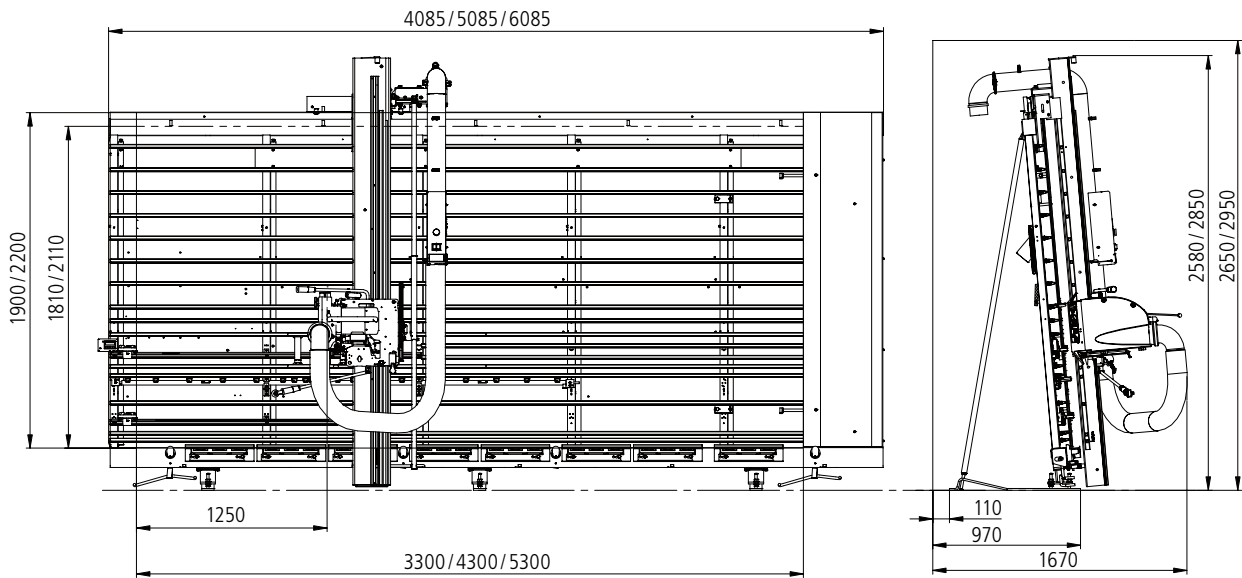
Perfect integration thanks to
network connectivity as standard.

Cutting optimization is supported by

- Optimization software for vertical panel cutting saws makes it easy to optimize your cutting plans.
- Waste material is reduced highly while labeling ensures professional management.
- The choice is yours – you can either import the cutting plans created in your office via network connection/USB or enter them directly on the touch screen.
- Perfect material utilization and maximum yield thanks to intelligent software.



TECHNICAL DATA



Technical data	SECTOR 1254	
Cutting depth	60 mm	
Cutting length	3300 mm / 4300 mm	4300 mm / 5300 mm
Cutting height	1900 mm	2200 mm
Trimming height	1810 mm / 2110 mm	
Saw blade dia.	250 mm	
Air requirement	1400 m ³ /h	
Air velocity	≥ 20 m/sec	
Attachment connection dia. assembly	120 mm	
Connection dia. frame end (TRK version)	100 mm	
Attachment dia. consolidation by customer	additional 160 mm	
Static vacuum	1500 Pa	
Weight	900 kg – 1200 kg	

Product brochures and many
videos are available at
www.holzher.com

The technical data specified is intended for reference only. HOLZ-HER woodworking machines are subject to constant development and are therefore subject to modification without prior notice. The illustrations are therefore not binding. Some of the machines shown also contain special equipment not included as a standard feature. For clarity, some of the machines are shown without protective hood.

Picture credits:

»Deutschland, Bayern, München, Männer und Frauen diskutieren im Büro« © Westend61 – Fotolia.com;
»Geschäftsleute in Bürogemeinschaft« © Westend61 – Fotolia.com

UK – HOLZ-HER 3623 45 – Printed in Germany/Imprimé en Allemagne
Printed on: 02.06.2017 – First edition: 10.05.2017

Your authorized HOLZ-HER dealer

**HOLZ-HER GmbH**
Plochinger Straße 65
72622 Nürtingen
Germany
T +49 (0) 70 22 702-0
kontakt@holzher.com
www.holzher.com

HOLZ-HER

A member of the WEINIG Group