

GLU JET – INVISIBLE JOINTS WITH THIN FILM TECHNOLOGY

With Glu Jet you can process conventional glue cartridges or glue granules as required for unsurpassed quality with invisible joints. Standard with EVA or waterproof PUR adhesive.

The 90° serrated nozzle is subdivided into a 1 mm grid ensuring highly precise application, for example, of 19 adhesive strips on a 19 mm panel. Under the high subsequent pressure, the adhesive can distribute itself within the narrow areas formed by the peaks and valleys – without being squeezed out at the top and bottom – thus ensuring clean, invisible joints. Simultaneously this patented process guarantees a high strength bond.

Razor-thin glued joints are so easy with the HOLZ-HER Glu Jet system and repeatable with unrivaled flexibility.

- Top quality
- Invisible joints as standard feature
- High-strength glued joint
- Waterproof quality with PUR
- High resistance to heat
- Simple cleaning



	ARTEA 1020	ARTEA 1030
Control	Industrial PC with 15.6" touchscreen	
Edge Feeder	For coiled edging or edging strips with single feeder	
Joints	Cutter dia.: 50 mm	
Glue Application	Glu Jet with thin film technology	
	Granule and/or cartridge chute	
Pressure Unit	2 pressure rollers, first roller driven	
Cutting	Single motor, with linear guide	
Milling	Multifunction, flush 5 mm / R2 mm	
Corner Rounding	x	Single motor, with linear guide, 45 mm
Radius Scraper	Mechanical incl. chip collection box	
Flat Scraper	Application-controlled	
Buffing		
Spraying Device	Parting, cleaning and lubricating agent	

Standard
 Optional
 x Not possible
 Free space



The technical data specified are intended for reference only. HOLZ-HER machines are subject to constant development and are therefore subject to change without prior notice. The illustrations are not binding. Some of the machines shown also contain special equipment not included as a standard feature. For clarity, some of the machines are shown without protective hood.
 Picture credits: © AdobeStock | Leo Lintang, industrieblick | © Shutterstock | Capture Media
 EN – HOLZ-HER 1006 45 – Printed in Germany/Imprimé en Allemagne | Printed on: 13.08.2021 – First edition: 13.08.2021



ARTEA 1020 | 1030
Invisible Joints in the Smallest of Spaces

HOLZ-HER GmbH
Großer Forst 4 | 72622 Nürtingen
sales@holzher.com | www.holzher.com





Small and Clever with Simple Operation.

ARTEA SERIES

Compact, Invisible Joints and PUR Processing – All as Standard Features

Within a compact space the ARTEA series offers top equipment with an unrivaled price/benefit ratio. Joining, gluing parts, corner rounding as well as a complete finishing area with radius scraper, flat scraper, buffer and sprayer all within a space of only 3,700 mm.

Consistently Good Connections

Highly flexible adhesive application with Glu Jet thin film technology for invisible joints using EVA or PUR glue.

For Waterproof Connections

You can process PUR glue just as easily as EVA glue.

Effortless Cleaning

The easy-to-clean glue system is a great added value for you right from the start.

Clearly Arranged, High Performance

Large 15.6" touchscreen with VISE (Visual Setting) – Your digital logbook for quick and reliable setup with any settings.

WISE

Visual Setting

Graphical display of all settings for digital counters and pressure gages to help you avoid setting errors.



Glue Database

The glue database allows you to save up to four different types of glue and then simply re-call them as required. Temperature, glue quantity and machine parameters are always available at the touch of a button.



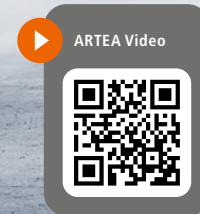
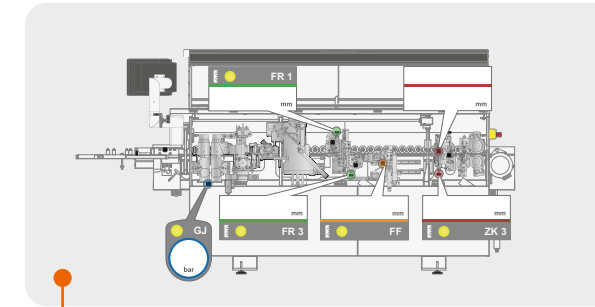
Glue Application

You can process practical glue cartridges and quickly and easily change over between EVA and PUR as required. With the Glu Jet, all you need to do to process granulated adhesive is change the glue chute.

WISE

DIGITAL LOGBOOK

WISE stands for Visual Setting, a feature providing intelligent, visual support for machine operators. VISE serves as a digital logbook providing all settings for the digital counters and pressure gages to get your machine set up quickly and reliably.



TOUCH EDGE CONTROL

The high resolution 15.6" wide format, color touch-screen provides the HMI for a Beckhoff industrial computer and is unparalleled in this class. The graphical control will inspire you with its simplicity and intuitive operation.

» Network Compatible

» Operator Access with Password Protection

» Rapid Change-Over between PUR and EVA



HEATS UP TO OPERATING TEMPERATURE IN ONLY 3 MINUTES

From zero to operating temperature in only 3 minutes and back to zero just as quickly. The HOLZ-HER edgebanders operate with Glu Jet – not with an adhesive basin and application rollers.

ECOMODE

Intelligent energy management for HOLZ-HER edgebanders. Eligible for government subsidies!



With HOLZ-HER Quality Guarantee!

To facilitate your decision in favor of Glu Jet we are pleased to offer a three year warranty on the complete Glu Jet system.